



NEW

Mini OLED DC VOLT METER

Monitors DC voltage on a bright, waterproof, daylight readable OLED screen

- Compact size enables mounting in any convenient location
- IP66 waterproof
- Reverse polarity protected
- Mounts in a common 1-1/8" hole
- High contrast and resolution
- Visible from wide viewing angle
- Visible with polarized glasses

Specifications

Nominal Voltage	12V / 24V DC
Voltage Accuracy	± 1.0%
Voltage Range	8V-36V DC
Maximum Operating Current	15mA
Resolution	0.01V DC
Cutout Dimensions in (mm)	1-1/8" (29 mm) diameter

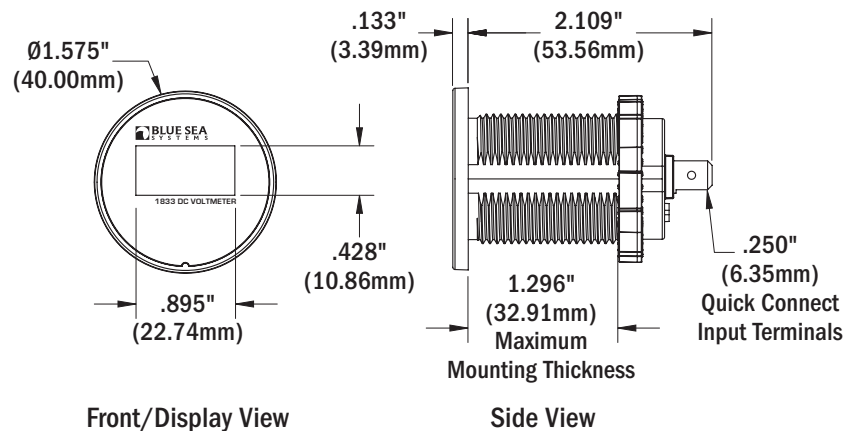
Regulatory

IP66 - protected against powerful water jets

PN	Description
1733	Mini OLED DC Voltmeter



1733



Related Products



M2 OLED Digital Meters



DC Digital Meters



DC Analog Meters



425 Sequoia Drive
 Bellingham, WA 98226 USA
 p 360.738.8230
 f 360.734.4195
 conductor@blueseas.com
 www.blueseas.com

Specifications subject to change.
 See blueseas.com for current information.
 980022460 Rev.001